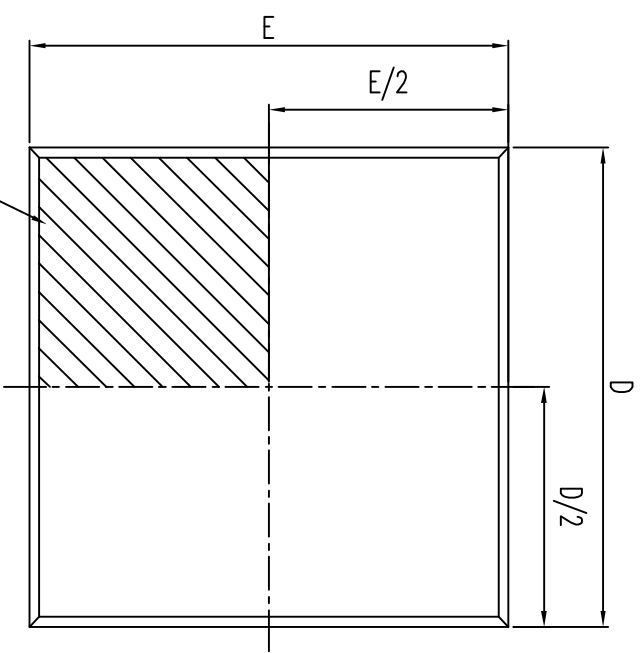
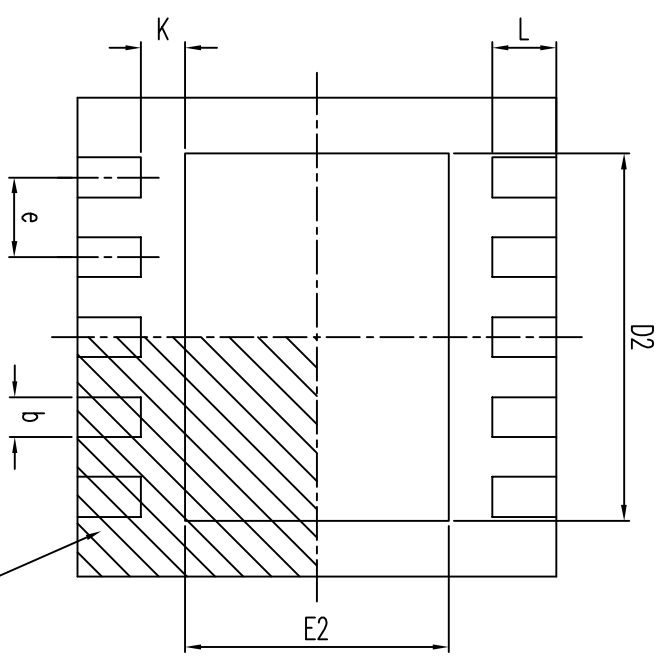


REV.	DESCRIPTION	BY	DATE
ORIG.	DRAWING ISSUE	SANDY CHEN	11.28.2014

TOP VIEW



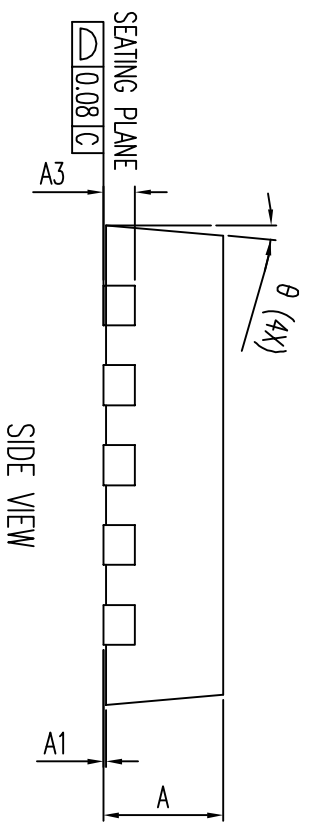
BOTTOM VIEW



SYMBOL	DIMENSION IN MM		
	MIN.	NOM.	MAX.
A	0.70	0.75	0.80
A1	0	0.02	0.05
A3	0.20 REF.		
D	3.00 BASIC		
D2	2.20		2.70
E	3.00 BASIC		
E2	1.40		1.75
e	0.50 BASIC		
b	0.18	0.25	0.30
L	0.30	0.40	0.50
K	0.20		
$\theta$	0°		14°
JEDEC	MO-229 (Variation W3030D-5)		

TERMINAL #1  
INDEX AREA  
(D/2 X E/2)

TERMINAL #1  
INDEX AREA  
(D/2 X E/2)



SIDE VIEW

		<b>Chant World Technology Inc.</b>	
TITLE WDFN 10L PACKAGE OUTLINE			
BODY SIZE : 3 X 3 X 0.75 MM			
DESIGNED	SANDY CHEN	11.28.2014	
CHECKED	SANDY CHEN	11.28.2014	
APPROVED	SANDY CHEN	11.28.2014	
UNIT	MM	FILE NAME :	WDFN10L(3x3x0.75) A3
SCALE	30 : 1	DWG. NO.:	CW-PV-003A
ANGULAR	±	ROUGH-	√